

## Insulation Insights

Volume 5, Edition 3

### How to Install Firwin Removable Insulation Blankets

Proper installation of removable insulation blankets is a key component in ensuring that the blankets function properly and provide optimal heat reduction. Improperly installed blankets can result in parts of components being left uncovered, and may also result in damage to the insulation blankets themselves. The following “Insulation Blanket Installation Instructions” have been designed to assist our customers in obtaining a proper fitting and optimally performing insulation blankets:

#### Insulation Blanket Installation Instructions:

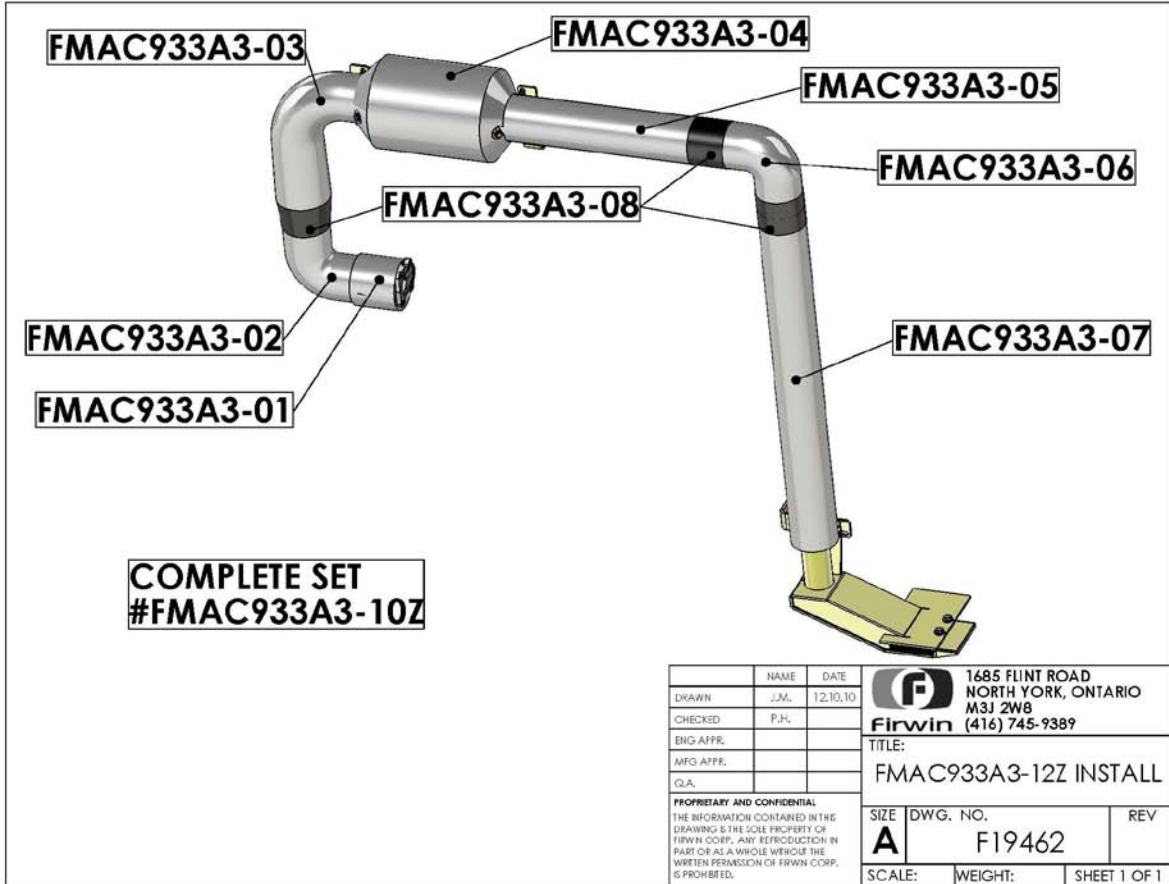
Before you begin:

To install Firwin Removable Insulation Blankets you will need:

- Stainless Steel Lacing Wire (supplied with blankets)
- Gloves
- Pliers and / or Side Cutters



Make sure you know where each blanket goes before installing. For more complex installations with multiple parts, see the installation diagram that came with the blankets, and match up the part number on the blanket label with the installation diagram.



Typical Installation Diagram

## Installing Removable Insulation Blankets on Straight Pipes

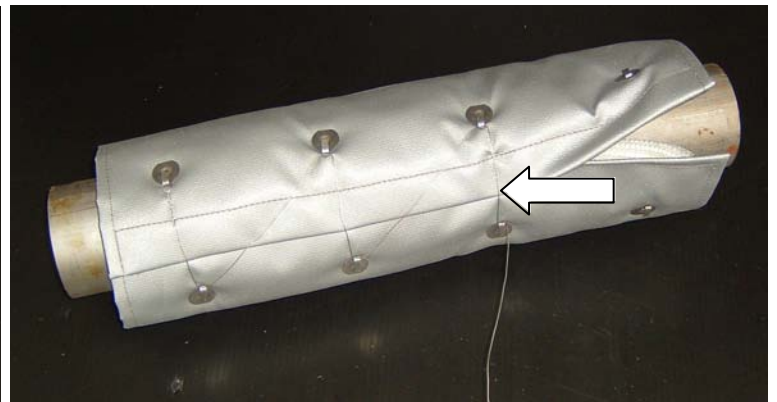
**Step 1:** Wrap the blanket around the pipe (part). Form and compress the blanket while working close to the seam.



**Step 2:** Form a loop in the wire and hook it around the first rivet / hook.



**Step 3:** Lace the wire across the blanket to close the seam.

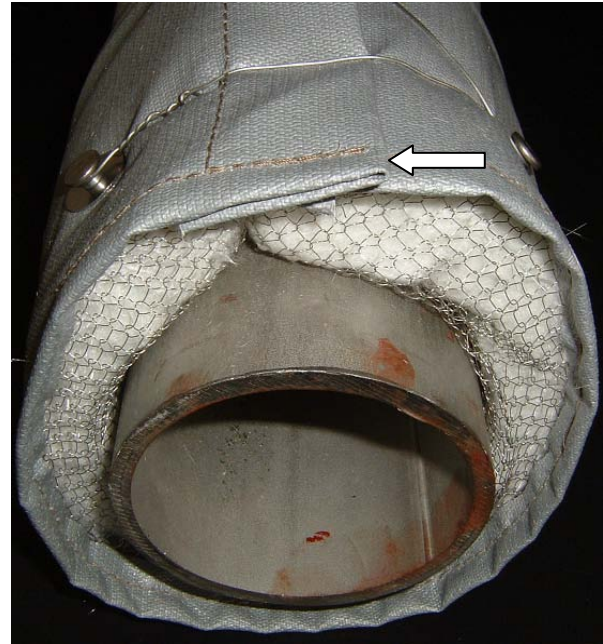


Tip : On longer blankets, temporary ties or starting in the middle of the blanket will help.

Optional installation with “wire twist pliers”



Note: Be sure to overlap the seam with the flap. The insulation should meet and form complete layer around the part.

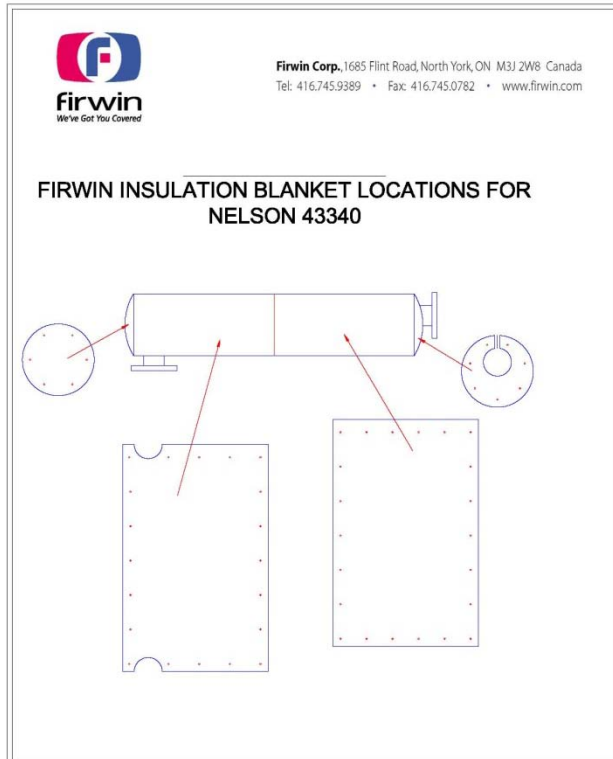


**Step 4:** Lace entire length of insulation blanket. After lacing last rivet / hook, cut away lacing wire and wrap any excess wire around last rivet.



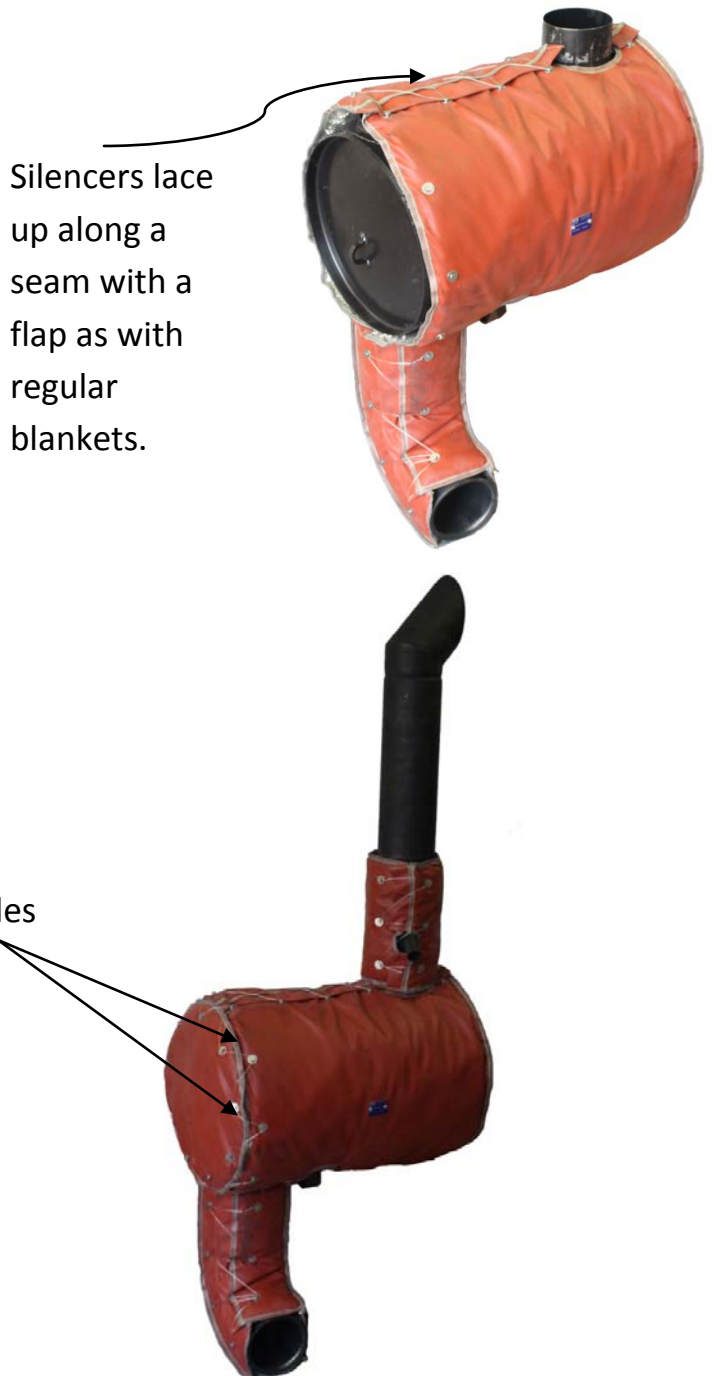
## Installing Removable Insulation Blankets on Silencers

Silencer Insulation Blankets come in 1 and 2 piece body constructions, with circular end caps.



Example of Silencer Installation Drawing

Silencers have additional rivets on the sides to facilitate the fitting of the end caps.





**Firwin Corp.**, 1685 Flint Road, North York, ON M3J 2W8 Canada  
Tel: 416.745.9389 • Fax: 416.745.0782 • [www.firwin.com](http://www.firwin.com)

### General Notes on Installing Removable Insulation Blankets:

- The outer material should not come in direct contact with the hot surface.
- Be sure to inspect the blankets on a regular basis.
- Firwin Removable Insulation Blankets are available for many different applications, including manifolds, turbos, elbows, flanges, and flex joints, among others. Please contact Firwin directly for if you require further instruction on installation for these or other components.

Other Articles: [Insulation Blanket Seals](#) · [Firwin Hard Coat FAQ's](#)